

SWING CHECK VALVE SOFT

resilient seated with lever and counterweight

DN 50 - 300 PN10/16

03.111



Product description

- Swing check valve resilient seated with lever and counterweight series SOFT for drinking water and neutral liquids
- Service temperature from 0°C (excluding frost) to 70°C

Standards

- Designed according to EN 1074 part 3
- Flange drilling to EN 1092-2 PN10/16
- Face-to-face according to EN 558 table 2 series 48

Tests

All valves are individually hydrostatically tested according to EN 1074-3:

- Seal 1.1 x PN (in bar); Body: 1.5 x PN (in bar).

Corrosion protection

- Epoxy powder coating RAL 5005
- Applied internal and external with a minimum coating thickness of 250 µm
- Potable water approved epoxy coating, fusion bonded according to DIN 3476-1, EN 14901 and GSK approved

Approvals

- ACS Potability Certificate 24 ACC NY 131
- GSK Epoxy Coating Certificate GSK-ID:1247 (RAL-GZ 662)

Features

- Valve with automatic mechanical closing for installation in pumping systems preventing the return of the flow
- Compact design requires little space for assembly
- The valve should be installed on the horizontal or vertical position, the flow must coincide with the arrow direction engraved on the valve body
- Possibility of installing the lever to the left or right of the valve, making it easy to apply to walls or other obstacles
- Full complete passage without obstacles, avoiding head loss
- Effect of cavitation almost null, due to geometric configuration of the valve
- Easy to maintain, if necessary, components may be replaceable. Disassembly can be accomplished without withdrawing the valve from the conduct by unfolding the cap bolts in order to remove the sealing system
- Reliability and stability of the sealing system, designed with double arm resting on the shaft and obturator with POM spacer that allows to fit the valve body seal
- Obturator fully vulcanized for drinking water approved EPDM
- Round EPDM bonnet gasket fixed in a recess, surrounding the bolts, ensuring a perfect seal
- On request possibility of by-pass and plug application to check and clean.



BRUNNEN KEMDRUCKGEGESST
VON ARMATUREN UND FORMSTÜCKEN



Fucoli Somepal
FUNDAÇÃO DE FERRO, S. A.

Visit our website at www.fucoli-somepal.pt

Head office: Estrada de Coselhas, 3000-125 Coimbra – Portugal | Tel.: (+351) 239 490100 | Fax: (+351) 239 490198

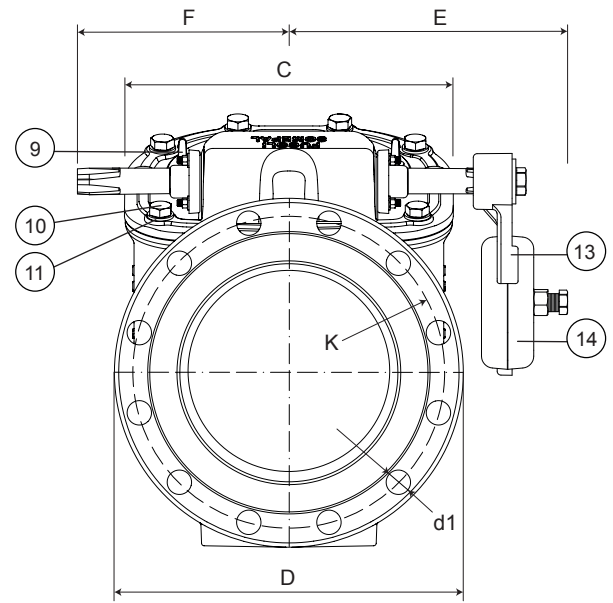
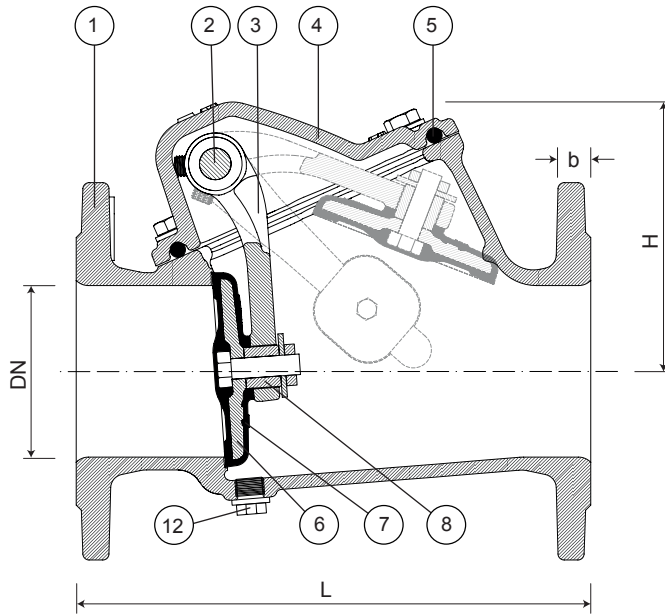
Branch office: Rua de Aveiro 50, 3050-420 Pampilhosa – Portugal | Tel.: (+351) 239 490100 | Fax: (+351) 231 949292 | comercial@fucoli-somepal.pt

SWING CHECK VALVE SOFT

resilient seated with lever and counterweight

DN 50 - 300 PN10/16

03.111



Component list

pos.	components	material	standard
1	Body	Ductile iron EN-GJS-500-7	EN 1563
2	Shaft	Stainless steel AISI 316L	EN 10088 - 1
3	Arm	Ductile iron EN-GJS-500-7	EN 1563
4	Bonnet	Ductile iron EN-GJS-500-7	EN 1563
5	Bonnet gasket	Elastomer EPDM	EN 681 - 1
6	Obturator	Ductile iron EN-GJS-500-7	EN 1563
7	Obturator covering	Elastomer EPDM	EN 681 - 1

pos.	components	material	standard
8	Spacer	POM	
9	Lifting eyes (from DN 200)	Stainless steel A2	EN 10088 - 1
10	Bolts	Stainless steel A2	EN 10088 - 1
11	Washers	Stainless steel A2	EN 10088 - 1
12	Plug (option)	Stainless steel A4	EN 10088 - 1
13	Lever	Ductile iron EN-GJS-500-7	EN 1563
14	Counterweight	Ductile iron EN-GJS-500-7	EN 1563

Reference and dimensions

DN	PN	code	D mm	L mm	H mm	C mm	K mm	n° x d1 mm	b mm	Kg approx.
50	10/16	10792710	165	200	108	110	125	4 x 19	19	10
60	10/16	10792715	175	240	119	123	135	4 x 19	19	12
65	10/16	10792720	185	240	119	123	145	4 x 19	19	12
80	10/16	10792725	200	260	137	140	160	8 x 19	19	16
100	10/16	10792730	220	300	157	168	180	8 x 19	19	22
125	10/16	10792735	250	350	185	215	210	8 x 19	19	33
150	10/16	10792740	285	400	210	242	240	8 x 23	19	45
200	10	10792745	340	500	242	295	295	8 x 23	20	69
200	16	10792750	340	500	242	295	295	12 x 23	20	69
250	10	10792755	400	600	296	377	350	12 x 23	22	98
250	16	10792760	400	600	296	377	355	12 x 28	22	97
300	10	10792765	455	700	325	427	400	12 x 23	25	139
300	16	10792770	455	700	325	427	410	12 x 28	25	139



Fucoli Somepal
FUNDIÇÃO DE FERRO, S.A.

Visit our website at www.fucoli-somepal.pt

Head office: Estrada de Coselhas, 3000-125 Coimbra – Portugal | Tel.: (+351) 239 490100 | Fax: (+351) 239 490198

Branch office: Rua de Aveiro 50, 3050-420 Pampilhosa – Portugal | Tel.: (+351) 239 490100 | Fax: (+351) 231 949292 | comercial@fucoli-somepal.pt



100% MADE IN EUROPE