

FLANGED SOFT SEALING GATE VALVE S14 NEXUS

with open/close indicator
DN 50 - 300 PN10/16

01.610



Product description

- Flanged soft sealing gate valve series NEXUS with open/close indicator for drinking water and neutral liquids
- Service temperature from 0°C (excluding frost) to 70°C

Standards

- Designed according to EN 1074 part 1 & 2 and EN 1171
- Flange drilling to EN 1092-2 PN10/16
- Face-to-face according to EN 558 series 14

Tests

All valves are individually hydrostatically tested according to EN 1074-1/2 and EN 12266:

- Seal 1.1 x PN (in bar); Body: 1.5 x PN (in bar). Operation torque test

Corrosion protection

- Epoxy powder coating RAL 5005
- Applied internal and external with a minimum coating thickness of 250 µm
- Potable water approved epoxy coating, fusion bonded according to DIN 3476-1, EN 14901 and GSK approved

Approvals

- GSK Certificate GSK-ID:1247 (RAL-GZ 662)

Features

- Isolation valve approved for drinking water
- Full bore
- Low operating torque
- Brass stem washer provides stress fixation and low operating torque
- Stainless steel stem with rolled threads produced by cold rolling process, which keeps the steel structure and increase its mechanical resistance
- Stem with stainless steel wedge stop to serve as backstop when the valve is fully open
- Stem sealing with POM bearing with 4 O-rings and a bottom joint in EPDM
- Wedge fully vulcanized with drinking water approved EPDM
- Wedge of polyamide coated guide rails avoiding friction and corrosion
- Wedge with brass nut fixed in the wedge core preventing vibration and ensure a long life span
- Round EPDM bonnet gasket fixed in a recess, surrounding the bolts, ensuring a perfect seal
- Body/bonnet bolts in stainless steel A2 encased and sealed ensuring full corrosion protection
- Position indicator for visual display of gate position
- On request possibility of stem in stainless steel AISI 316L and NBR sealings.



RAL GUTZEICHEN
SCHWEISS KENNZEICHEN
VON ARMATUREN UND FORMSTÜCKEN



Fucoli Somepal
FUNDAÇÃO DE FERRO, S. A.

Visit our website at www.fucoli-somepal.pt

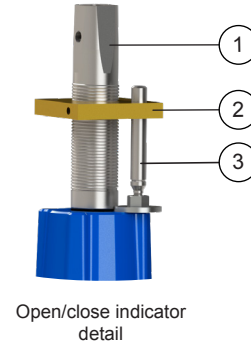
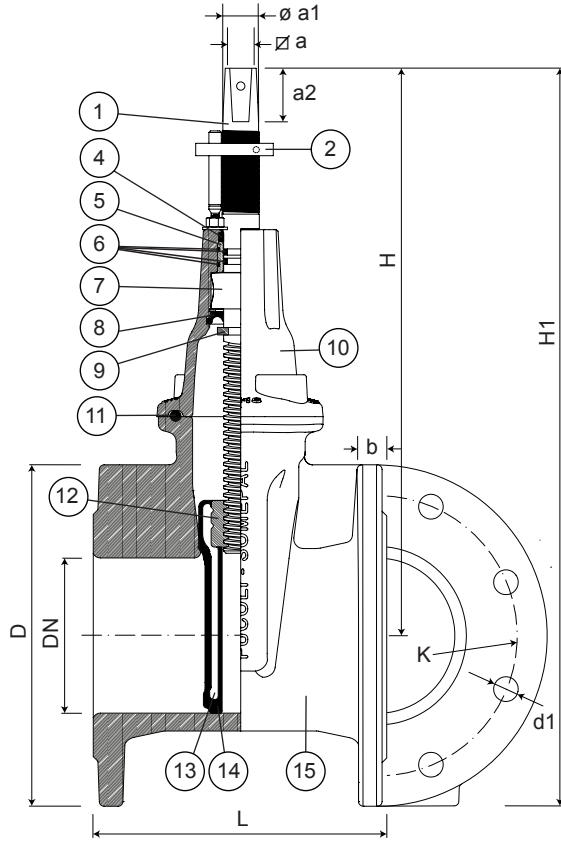
Head office: Estrada de Coselhas, 3000-125 Coimbra – Portugal | Tel.: (+351) 239 490100 | Fax: (+351) 239 490198

Branch office: Rua de Aveiro 50, 3050-420 Pampilhosa – Portugal | Tel.: (+351) 239 490100 | Fax: (+351) 231 949292 | comercial@fucoli-somepal.pt

FLANGED SOFT SEALING GATE VALVE S14 NEXUS

with open/close indicator
DN 50 - 300 PN10/16

01.610



Component list

pos.	components	material	standard
1	Stem	Stainless steel AISI 420	EN 10088 - 1
2	Open-close indicated	Brass	EN 12164
3	Indicator guide	Stainless steel AISI 420	EN 10088 - 1
4	Clearing joint	Elastomer	
5	Bearing	POM	
6	O-rings	Elastomer EPDM	EN 681 -1
7	Stem washer	Brass DZR CW602N	EN 12164
8	Joint	Elastomer EPDM	EN 681 -1
9	Wedge stop	Stainless steel AISI 420	EN 10088 - 1

pos.	components	material	standard
10	Bonnet	Ductile iron EN-GJS-500-7	EN 1563
11	Bonnet gasket	Elastomer EPDM	EN 681 -1
12	Wedge nut	Brass DZR CW626N	EN 12164
13	Wedge	Ductile iron EN-GJS-500-7	EN 1563
14	Wedge covering	Elastomer EPDM	EN 681 -1
15	Body	Ductile iron EN-GJS-500-7	EN 1563

Reference and dimensions

DN	PN	code	D	L	H	H1	K	n° x d1	b	$\varnothing a$	$\varnothing a1$	a2	turns to open	Kg approx.
			mm	mm	mm	mm	mm	mm	mm	mm	mm	mm		
50	10/16	10729210	165	150	277	360	125	4 x 19	19	14.1	18	29	13	10
65	10/16	10729215	185	170	305	397	145	4 x 19	19	17.1	22	34	14	12
80	10/16	10729220	200	180	335	435	160	8 x 19	19	17.1	22	34	16	14
100	10/16	10729225	220	190	368	476	180	8 x 19	19	19.1	23	38	20	17
125	10/16	10729230	250	200	407	532	210	8 x 19	19	19.1	23	38	25	22
150	10/16	10729235	285	210	458	600	240	8 x 23	19	19.1	26	38	30	31
200	10	10729240	340	230	531	701	295	8 x 23	20	24.1	28	38	40	47
200	16	10729245	340	230	531	701	295	12 x 23	20	24.1	28	38	40	47
250*	10	10729250	400	250	-	-	350	12 x 23	22	-	-	-	-	-
250*	16	10729255	400	250	-	-	355	12 x 28	22	-	-	-	-	-
300*	10	10729260	455	270	-	-	400	12 x 23	24.5	-	-	-	-	-
300*	16	10729265	455	270	-	-	410	12 x 28	24.5	-	-	-	-	-

* On request



Fucoli Somepal
FUNDAÇÃO DE FERRO, S.A.

Visit our website at www.fucoli-somepal.pt

Head office: Estrada de Coselhas, 3000-125 Coimbra – Portugal | Tel.: (+351) 239 490100 | Fax: (+351) 239 490198

Branch office: Rua de Aveiro 50, 3050-420 Pampilhosa – Portugal | Tel.: (+351) 239 490100 | Fax: (+351) 231 949292 | comercial@fucoli-somepal.pt



100% MADE IN EUROPE