

SWING CHECK VALVE SUPRA

metal seated

DN 50 - 600 PN25/40

03.106



Product description

- Swing check valve metal seated series SUPRA for drinking water and neutral liquids
- Face-to-face length – S48
- Service temperature from 0°C (excluding frost) to 70°C

Standards

- Designed according to EN 1074 part 3
- Flange drilling to EN 1092-2 PN10/16
- Face-to-face according to EN 558 table 2 series 48

Tests

- All valves are individually hydrostatically tested according to EN 1074-3:
- Seal 1.1 x PN (in bar); Body: 1.5 x PN (in bar). Operation torque test

Corrosion protection

- Epoxy powder coating RAL 5005
- Applied internal and external with a minimum coating thickness of 250 µm
- Potable water approved epoxy coating, fusion bonded according DIN 3476-1, EN 14901 and GSK approved

Approvals

- GSK Epoxy Coating Certificate GSK-ID:1247 (RAL-GZ 662)

Features

- Valve with automatic mechanical closing for installation in pumping systems preventing the return of the flow
- Compact design requires little space for assembly
- The valve should be installed on the horizontal position, the flow must coincide with the arrow direction engraved on the valve body
- Full complete passage without obstacles, avoiding head loss
- Effect of cavitation almost null, due to geometric configuration of the valve
- Easy to maintain, if necessary, components may be replaceable. Disassembly can be accomplished without withdrawing the valve from the pipeline by loosening the screws of the bonnet can remove entire sealing system
- Reliability and stability of the sealing system, designed with double arm support on the shaft and obturator design that allows to fit to the valve body seal
- Valve body supplied as standard with bronze seat
- Obturator in stainless steel AISI 420
- Round EPDM bonnet gasket fixed in a recess, surrounding the bolts, ensuring a perfect seal
- On request possibility to be supplied with seat, obturator and shaft in stainless steel in AISI 316L, by-pass and plug application to check and clean.



RAL GUTZEICHEN
"SCHWEISZ KENNZEICHEN"
VON ARMATUREN UND FORMSTÜCKEN



Fucoli Somepal
FUNDAÇÃO DE FERRO, S. A.

Visit our website at www.fucoli-somepal.pt

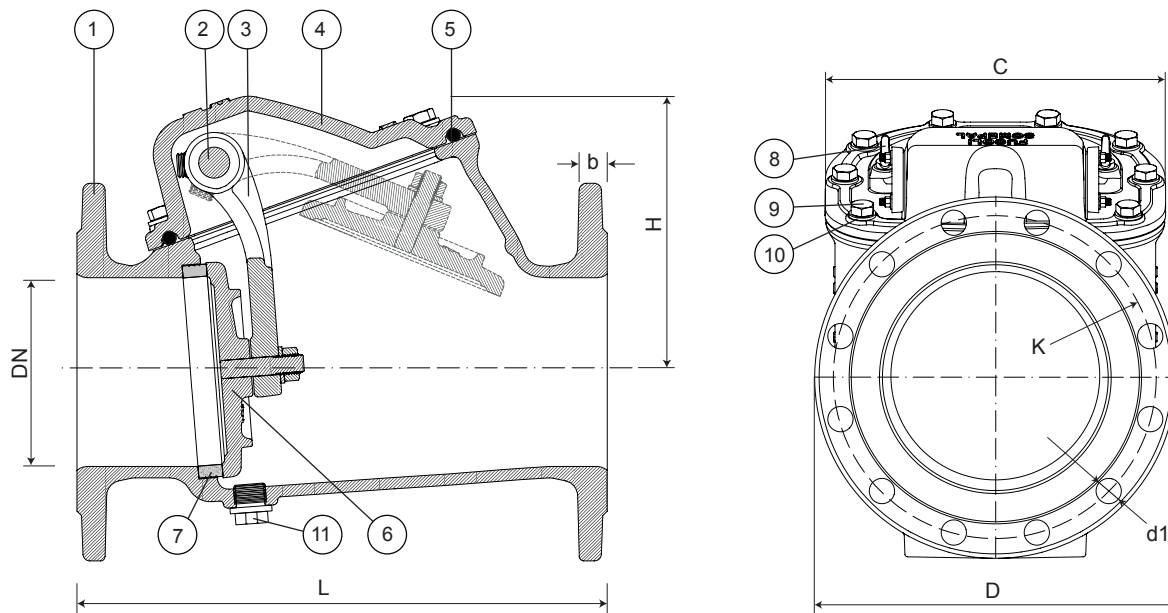
Head office: Estrada de Coselhas, 3000-125 Coimbra – Portugal | Tel.: (+351) 239 490100 | Fax: (+351) 239 490198

Branch office: Rua de Aveiro 50, 3050-420 Pampilhosa – Portugal | Tel.: (+351) 239 490100 | Fax: (+351) 231 949292 | comercial@fucoli-somepal.pt

SWING CHECK VALVE SUPRA

metal seated
DN 50 - 600 PN25/40

03.106



Component list

pos.	components	material	standard
1	Body	Ductile iron EN-GJS-500-7	EN 1563
2	Shaft	Stainless steel AISI 420	EN 10088 - 1
3	Arm	Ductile iron EN-GJS-500-7	EN 1563
4	Bonnet	Ductile iron EN-GJS-500-7	EN 1563
5	Bonnet gasket	Elastomer EPDM	EN 681 - 1
6	Obturator	Stainless Steel AISI 420	EN 10088 - 1

pos.	components	material	standard
7	Seat	Bronze CuSn ₇ Zn ₄ Pb ₇	EN 1982
8	Lifting eyes (from DN 200)	Stainless steel A2	EN 10088 - 1
9	Bolts	Stainless steel A2	EN 10088 - 1
10	Washers	Stainless steel A2	EN 10088 - 1
11	Plug (option)	Stainless steel A4	EN 10088 - 1

Reference and dimensions

DN	PN	code	D mm	L mm	H mm	C mm	K mm	n° x d1 mm	b mm	Kg approx.
50	25	10752310	165	200	108	110	125	4 x 19	19	10
50	40	10752510	165	200	108	110	125	4 x 19	19	10
60	25	10752320	175	240	119	123	135	8 x 19	19	11
60	40	10752520	175	240	119	123	135	8 x 19	19	11
65	25	10752330	185	240	119	123	145	8 x 19	19	12
65	40	10752530	185	240	119	123	145	8 x 19	19	12
80	25	10752340	200	260	137	140	160	8 x 19	19	17
80	40	10752540	200	260	137	140	160	8 x 19	19	17
100	25	10752350	235	300	157	168	190	8 x 23	19	22
100	40	10752550	235	300	157	168	190	8 x 23	19	24
125	25	10752360	270	350	185	215	220	8 x 28	19	36
125	40	10752560	270	350	185	215	220	8 x 28	23.5	36
150	25	10752370	300	400	210	242	250	8 x 28	20	49
150	40	10752570	300	400	210	242	250	8 x 28	26	52
200	25	10752380	360	500	242	295	310	12 x 28	22	69
200	40	10752580	375	500	242	295	320	12 x 31	30	77
250	25	10752390	425	600	296	377	370	12 x 31	24.5	109
250	40	10752590	450	600	296	377	385	12 x 34	34	124
300	25	10752400	485	700	325	427	430	16 x 31	27.5	156
300	40	10752600	515	700	325	427	450	16 x 34	39.5	179
350	25	10752410	555	800	400	480	490	16 x 34	30	171
350	40	10752610	580	800	400	480	510	16 x 37	44	194
400	25	10752420	620	900	435	531	550	16 x 37	32	286

continued on next page

SWING CHECK VALVE SUPRA
metal sealing
DN 50 - 600 PN25/40

03.106



continued from previous page

DN	PN	code	D mm	L mm	H mm	C mm	K mm	n° x d1 mm	b mm	Kg approx.
400	40	10752620	660	900	435	531	585	16 x 41	48	335
450	25	10752430	670	1000	460	585	600	20 x 37	34.5	406
450	40	10752630	685	1000	460	585	610	20 x 41	49	440
500	25	10752440	730	1100	485	640	660	20 x 37	36.5	434
500	40	10752640	755	1100	485	640	670	20 x 44	52	480
600	25	10752450	845	1300	585	750	770	20 x 41	42	706
600	40	10752650	890	1300	585	750	795	20 x 50	58	787



Fucoli Somepal
 FUNDIÇÃO DE FERRO, S. A.

Visit our website at www.fucoli-somepal.pt

Head office: Estrada de Coselhas, 3000-125 Coimbra – Portugal | Tel.: (+351) 239 490100 | Fax: (+351) 239 490198

Branch office: Rua de Aveiro 50, 3050-420 Pampilhosa – Portugal | Tel.: (+351) 239 490100 | Fax: (+351) 231 949292 | comercial@fucoli-somepal.pt

