

# FLANGED SOFT SEALING GATE VALVE ISO TOP FLANGE S15 3000

prepared for electric actuator  
**DN 40 - 300 PN25**

01.204



## Product description

- Flanged soft sealing gate valve with ISO top flange prepared for electrical actuator series 3000 for drinking water and neutral liquids
- Service temperature from 0°C (excluding frost) to 70°C

## Standards

- Designed according to EN 1074 part 1 & 2 and EN 1171
- Flange drilling to EN 1092-2 PN25
- Face-to-face according to EN 558 series 15
- ISO top flange according to ISO 5210

## Tests

All valves are individually hydrostatically tested according to EN 1074-1/2 and EN 12266:

- Seal 1.1 x PN (in bar); Body: 1.5 x PN (in bar). Operation torque test

## Corrosion protection

- Epoxy powder coating RAL 5005
- Applied internal and external with a minimum coating thickness of 250 µm
- Potable water approved epoxy coating, fusion bonded according DIN 3476-1, EN 14901 and GSK approved

## Approvals

- ACS Potability Certificate 15 ACC NY 005
- GSK Epoxy Coating Certificate GSK-ID:1247 (RAL-GZ 662)

## Features

- Isolation valve approved for drinking water
- Full bore
- Low operating torque
- The valves from DN 250 to DN 300 are equipped with an axial bearing to ensure reduced operating torque
- Stainless steel stem with rolled threads produced by cold rolling process, which keeps the steel structure and increase its mechanical resistance
- Stem sealing system with 4 O-rings in EPDM
- O-ring stem sealing exchangeable under pressure
- Wedge fully vulcanized with drinking water approved EPDM
- Top of the wedge conceived with “soft stop” system, which acts as an end stop for the fully open valve
- Wedge with brass nut fixed in the wedge core preventing vibration and ensure a long life span
- Wedge and body designed with “monorail” system
- Round EPDM bonnet gasket fixed in a recess, surrounding the bolts, ensuring a perfect seal
- Body/bonnet bolts in stainless steel A2 encased and sealed ensuring full corrosion protection
- ISO top flange according ISO 5210 for electric actuator or manual gearbox assembling
- Accessories: electric actuator and bevel gearbox
- On request possibility of stem in stainless steel AISI 316L, NBR sealings and wedge nut in different brass grades.



**Fucoli Somepal**  
FUNDAÇÃO DE FERRO, S. A.

Visit our website at [www.fucoli-somepal.pt](http://www.fucoli-somepal.pt)

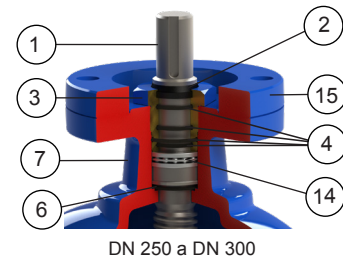
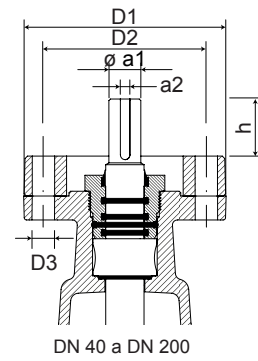
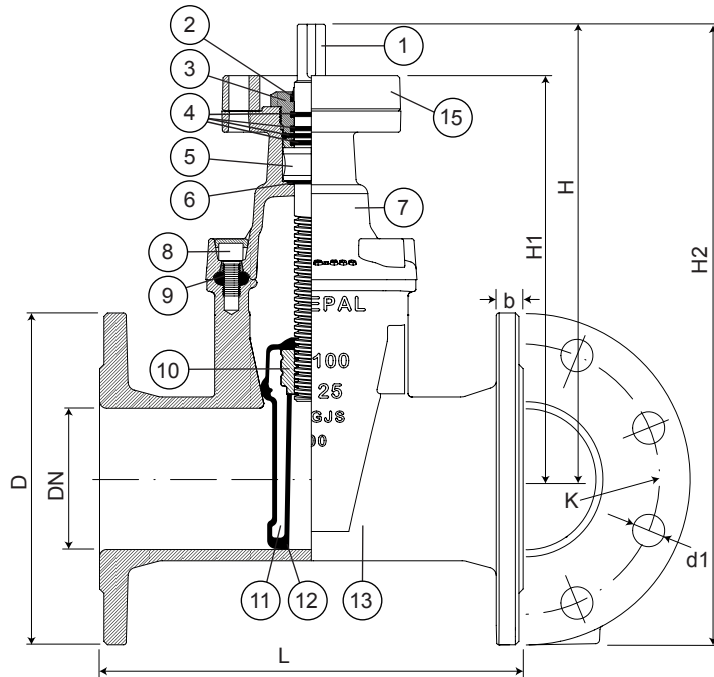
Head office: Estrada de Coselhas, 3000-125 Coimbra – Portugal | Tel.: (+351) 239 490100 | Fax: (+351) 239 490198

Branch office: Rua de Aveiro 50, 3050-420 Pampilhosa – Portugal | Tel.: (+351) 239 490100 | Fax: (+351) 231 949292 | [comercial@fucoli-somepal.pt](mailto:comercial@fucoli-somepal.pt)

# FLANGED SOFT SEALING GATE VALVE ISO TOP FLANGE S15 3000

prepared for electric actuator  
DN 40 - 300 PN25

01.204



## Component list

| pos. | components     | material                     | standard     |
|------|----------------|------------------------------|--------------|
| 1    | Stem           | Stainless steel AISI 420     | EN 10088 - 1 |
| 2    | Clearing joint | Elastomer                    |              |
| 3    | Gland          | Brass DZR CW602N             | EN 12164     |
| 4    | O-rings        | Elastomer EPDM               | EN 681 - 1   |
| 5    | Stem washer    | Brass DZR CW602N             | EN 12164     |
| 6    | O-ring         | Elastomer EPDM               | EN 681 - 1   |
| 7    | Bonnet         | Ductile iron<br>EN-GJS-500-7 | EN 1563      |
| 8    | Bolts          | Stainless steel A2           | EN 10088 - 1 |
| 9    | Bonnet gasket  | Elastomer EPDM               | EN 681 - 1   |

| pos. | components     | material                     | standard   |
|------|----------------|------------------------------|------------|
| 10   | Wedge nut      | Brass DZR CW626N             | EN 12164   |
| 11   | Wedge          | Ductile iron<br>EN-GJS-500-7 | EN 1563    |
| 12   | Wedge covering | Elastomer EPDM               | EN 681 - 1 |
| 13   | Body           | Ductile iron<br>EN-GJS-500-7 | EN 1563    |
| 14   | Bearing        | Steel                        | ISO 20516  |
| 15   | Mouting flange | Ductile iron<br>EN-GJS-500-7 | EN 1563    |

## Reference and dimensions

| DN  | PN | code     | D   | L   | H   | H1  | H2  | K   | n° x d1 | b    | ISO 5210 | D1  | D2  | n° x D3 | ø a1 | a2 | h  | turns to open | Kg approx. |
|-----|----|----------|-----|-----|-----|-----|-----|-----|---------|------|----------|-----|-----|---------|------|----|----|---------------|------------|
|     |    |          | mm  | mm  | mm  | mm  | mm  | mm  | mm      | mm   | flange   | mm  | mm  | mm      | mm   | mm | mm |               |            |
| 40  | 25 | 10731010 | 150 | 240 | 207 | 177 | 282 | 110 | 4 x 19  | 19   | F10      | 125 | 102 | 4 x 12  | 20   | 6  | 30 | 10            | 11         |
| 50  | 25 | 10731020 | 165 | 250 | 238 | 208 | 321 | 125 | 4 x 19  | 19   | F10      | 125 | 102 | 4 x 12  | 20   | 6  | 30 | 13            | 13         |
| 60  | 25 | 10731030 | 175 | 270 | 250 | 217 | 338 | 135 | 8 x 19  | 19   | F10      | 125 | 102 | 4 x 12  | 20   | 6  | 33 | 13            | 18         |
| 65  | 25 | 10731040 | 185 | 270 | 250 | 217 | 343 | 145 | 8 x 19  | 19   | F10      | 125 | 102 | 4 x 12  | 20   | 6  | 33 | 13            | 18         |
| 80  | 25 | 10731050 | 200 | 280 | 286 | 253 | 386 | 160 | 8 x 19  | 19   | F10      | 125 | 102 | 4 x 12  | 20   | 6  | 33 | 16            | 22         |
| 100 | 25 | 10731060 | 235 | 300 | 325 | 286 | 443 | 190 | 8 x 23  | 19   | F10      | 125 | 102 | 4 x 12  | 20   | 6  | 39 | 20            | 27         |
| 125 | 25 | 10731070 | 270 | 325 | 362 | 323 | 497 | 220 | 8 x 28  | 19   | F10      | 125 | 102 | 4 x 12  | 20   | 6  | 39 | 25            | 35         |
| 150 | 25 | 10731080 | 300 | 350 | 425 | 384 | 575 | 250 | 8 x 28  | 20   | F14      | 175 | 140 | 4 x 18  | 30   | 8  | 41 | 30            | 48         |
| 200 | 25 | 10731090 | 360 | 400 | 505 | 459 | 683 | 310 | 12 x 28 | 22   | F14      | 175 | 140 | 4 x 18  | 30   | 8  | 46 | 34            | 69         |
| 250 | 25 | 10731100 | 425 | 450 | 595 | 545 | 805 | 370 | 12 x 31 | 24.5 | F14      | 175 | 140 | 4 x 18  | 30   | 8  | 50 | 42            | 99         |
| 300 | 25 | 10731110 | 485 | 500 | 665 | 615 | 908 | 430 | 16 x 31 | 27.5 | F14      | 175 | 140 | 4 x 18  | 30   | 8  | 50 | 50            | 169        |



**Fucoli Somepal**  
FUNDAÇÃO DE FERRO, S.A.

Visit our website at [www.fucoli-somepal.pt](http://www.fucoli-somepal.pt)

Head office: Estrada de Coselhas, 3000-125 Coimbra – Portugal | Tel.: (+351) 239 490100 | Fax: (+351) 239 490198

Branch office: Rua de Aveiro 50, 3050-420 Pampilhosa – Portugal | Tel.: (+351) 239 490100 | Fax: (+351) 231 949292 | [comercial@fucoli-somepal.pt](mailto:comercial@fucoli-somepal.pt)



100% MADE IN EUROPE